

## DS-2AE6123TB

### E Series 6 Inch Turbo White Light HD720p Analog Speed Dome



Hikvision DS-2AE6123TB E Series 6 Inch Turbo White Light HD720p Analog Speed Domes adopt 1/3" CMOS chip. With the 23× optical zoom lens, the camera offers more details over expansive areas.

This series of cameras can be widely applied to places requiring wide-area monitoring display, such as streets, stations, large venues, outside of residential areas, etc.

- High performance 1/3" CMOS
- Max. image resolution: 1280 × 720
- Min. illumination: Color: 0.05Lux @ (F1.6, AGC ON); B/W: 0.005Lux @ (F1.6, AGC ON); 0 Lux with White Light
- 23× optical zoom, focal length 4-92mm
- 80m White Light distance
- IR cut filter
- 3D DNR, Digital WDR, BLC
- TVI and CVBS dual output



## Specifications

<b>Camera</b>	
Model	DS-2AE6123TB-A E Series 6 Inch Turbo White Light HD720p Analog Speed Dome
Image Sensor	1/3" CMOS
Max. Image Resolution	1280 × 720
Frame Rate	50Hz: 25fps (1280 × 720), 50fps (1280 × 720) 60Hz: 30fps (1280 × 720), 60fps (1280 × 720)
Min. Illumination	Color: 0.05Lux @ (F1.6, AGC ON) B/W: 0.005Lux @ (F1.6, AGC ON) 0 lux with White Light
White Balance	Auto/Manual/ATW/Indoor/Outdoor
AGC	Auto/Manual
S/N Ratio	> 50dB
DNR	3D DNR
BLC	Support
WDR	Digital WDR
Shutter Time	PAL: 1/1-1/10,000s; NTSC: 1/1-1/10,000s
Day & Night	Whole Color
Privacy Mask	8 privacy masks programmable
<b>Lens</b>	
Focus Mode	Auto/Semiautomatic/Manual
Focal Length	4mm to 92mm, 23× Optical
Aperture Range	F1.4 to F3.5
Angle of View	49° to 2.2° (Wide-Tele)
Min. Working Distance	10mm to 1000mm (Wide-Tele)
Zoom Speed	Approx. 3.0s (Optical, Wide-Tele)
<b>Pan and Tilt</b>	
Pan Range	360° endless
Pan Speed	Pan manual speed: 0.1° -120°/s; Pan preset speed: 120°/s
Tilt Range	-15°-90° (Auto flip)
Tilt Speed	Tilt manual speed: 0.1°-80°/s; Tilt preset speed: 80°/s
Proportional Zoom	Rotation speed can be adjusted automatically according to zoom multiples
Patrol	8 patrols, up to 32 presets per patrol
Pattern	4 patterns, with the total recording time not less than 10 minutes
Power-off Memory	Support
Park Action	Preset/Patrol/Pattern/Pan Scan/Tilt Scan /Random Scan/Frame Scan/Panorama Scan
PTZ Position Display	ON/OFF
Preset Freezing	Support
Scheduled Task	Preset/Patrol/Pattern/Pan Scan/Tilt Scan/Frame Scan/Random Scan/Panorama Scan
RS-485 Communication Diagnosis	Support

**WHITE LIGHT**

White Light	Distance	80m
White Light	Intensity	Automatically adjusted, depending on the zoom ratio

**Input/Output**

Turbo HD Output	1 turbo HD720p output, NTSC (or PAL) composite, BNC
CVBS Output	1.0V[p-p]/75Ω, NTSC (or PAL) composite, BNC
RS-485 Interface	Half-duplex mode Self-adaptive HIKVISION, Pelco-P, Pelco-D protocol
UTC function	HIKVISION_C *Need UTC controller if DVR don't support UTC function

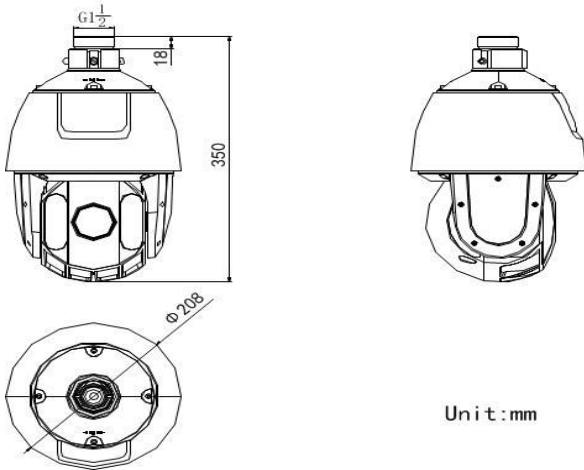
**General**

Menu Language	English, Chinese
Power	24V AC Max.30 W ( White Light : 12W Max)
Working Temperature	Outdoor: -30°C to 65°C (-22°F to 149°F)
Working Humidity	90% or less
Protection Level	IP66 standard (outdoor dome) TVS 4,000V lightning protection, surge protection and voltage transient protection
Mounting	Various mounting modes optional
Dimension	Φ208 × 350mm (Φ8.19"×13.78")
Weight (approx.)	2.9Kg (6.39lbs)
Mount Option (outdoor domes only)	Long-arm wall mount: DS-1602ZJ Corner mount: DS-1602ZJ-corner Pole Mount: DS-1602ZJ-pole Power box mount:DS-1602ZJ-box

## Order Model

DS-2AE6123TB-A, 24VAC, outdoor

## Dimensions



## Accessories



DS-1602ZJ Long-arm Wall Mount Bracket

Distributed by



### Headquarters

No.555 Qianmo Road, Binjiang District,  
Hangzhou 310051, China  
T +86-571-8807-5998  
overseasbusiness@hikvision.com

**Hikvision USA**  
T +1-909-895-0400  
sales.usa@hikvision.com

**Hikvision Italy**  
T +39-0438-6902  
info.it@hikvision.com

**Hikvision Singapore**  
T +65-6684-4718  
sg@hikvision.com

**Hikvision Europe**  
T +31-23-5542770  
saleseuro@hikvision.com

**Hikvision France**  
T +33(0)1-85-330-444  
info.fr@hikvision.com

**Hikvision Oceania**  
T +61-2-8599-4233  
salesau@hikvision.com

**Hikvision Middle East**  
T +971-4-8816086  
salesme@hikvision.com

**Hikvision Spain**  
T +34-91-737-16-55  
info.es@hikvision.com

**Hikvision Hong Kong**  
T +852-2151-1761

**Hikvision Russia**  
T +7-495-669-67-99  
saleru@hikvision.com

**Hikvision Poland**  
T +48-22-460-01-50  
poland@hikvision.com

**Hikvision Canada**  
T +1-909-895-0400  
sales.usa@hikvision.com

**Hikvision India**  
T +91-22-28469900  
sales@pramahikvision.com

**Hikvision UK**  
T +44-1628-9021-4  
support.uk@hikvision.com