



GM-615 GM-611M GM-605 GM-601LM



### GM-615

### GM-611M

### GM-605

### GM-601LM

These professional high quality gooseneck microphones are suitable for many PA applications such as on Lecterns and Podiums, Open Conferences etc. The sleek and slender design makes the microphones unobtrusive.

GM-605 and GM-601LM are of same length, but GM-601LM has a ring LED which lights up when power to the microphone is ON. GM-615 and GM-611M have a longer reach.

All four microphones feature

- Condenser cartridge with wide frequency response.
- High front-to-rear rejection for more gain before feedback.
- Built-in XLR socket.

### Specifications

Model	GM-615	GM-611M	GM-605	GM-601LM
Freq. Resp.	20-18,000Hz	100-15,000Hz	50-16,000Hz	100-15,000Hz
Impedance	1kΩ	1kΩ	1kΩ	1kΩ
Sensitivity	7.5mV/Pa	7mV/Pa	4mV/Pa	7mV/Pa
Power source	1.5V-9V DC	1.5V-9V DC	1.5V-9V DC	3V-9V DC
Overall Length	585mm (23")	585mm (23")	460mm (18")	460mm (18")

### GMB-6C

This is a sturdy, heavy duty base made of die-cast aluminium suitable for Ahuja electret condenser gooseneck microphones. It has a female XLR connector for directly mounting the gooseneck microphone and a male XLR socket at the rear for connecting standard microphone cable to the amplifier.

- Heavy weight housing with anti-skid feet ensures stability.
- 10 mtrs. shielded 2-core mic cable with XLR connector & ¼" phone plug.
- LED provided for indicating ON status.
- Built-in cell housing for 2×UM-3 pencil cells (3V) for operating the condenser microphone.
- On/Off switch provided. Special electronic circuitry for minimal switch noise.



### G-611S

This is a mic stand adaptor for Ahuja gooseneck microphones model GM-615, GM-611M and GM-605. It has a well styled rugged heavy duty aluminium die-cast body with a female XLR connector for directly mounting the gooseneck microphone. A male XLR connector has been provided at the bottom for connecting the cable.

- 10 mtrs. 2-core shielded cable with in-line cell housing.
- Operates on 1.5V (1×UM-3) pencil cell provided.
- Special circuitry employed for minimal switch noise.
- Threaded brass ferrule with 5/8"×27 TPI, suitable for standard microphone stands.



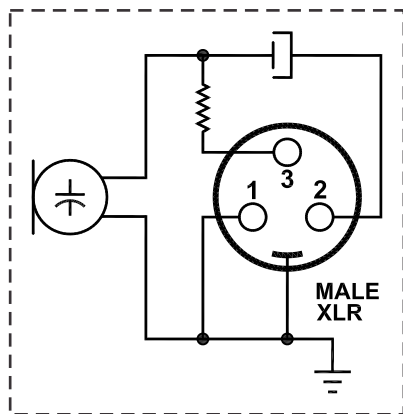
Design and Specifications are subject to change without notice owing to continuous product up-gradation. Technical specifications are subject to production tolerances.

We cannot be held responsible for printing errors, should they occur. AHUJA is a registered trademark of Ahuja Radios in India and other countries.

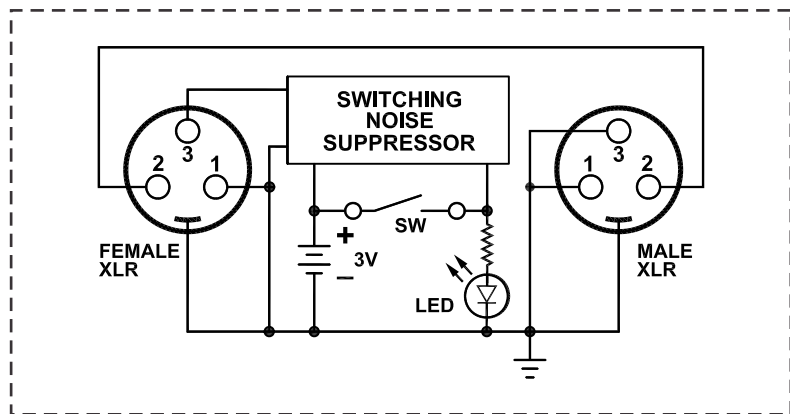
© Copyright Ahuja Radios, 2013. All rights reserved. Any unauthorized reproduction or use of logos, images or design elements is strictly prohibited by law.

No part of this compilation may be reproduced in any manner or translated without written permission.

## Circuit Diagram



Microphone



GMB-6C