

DS-2CD120P-I3/I5 1MP 1/4" CMOS ICR Network Bullet Camera



Key Features

- 1/4" Progressive Scan CMOS
- Up to 1 megapixel high resolution
- - I3: 30 m IR range; -I5: 50 m IR range
- Dual stream
- Digital Wide Dynamic Range
- 3D DNR (Digital Noise Reduction)
- PoE (Power over Ethernet) optional
- IP67 weather-proof protection
- Mobile Monitoring via Hik-Connect or iVMS-4500
- Login security protection and password strength detection



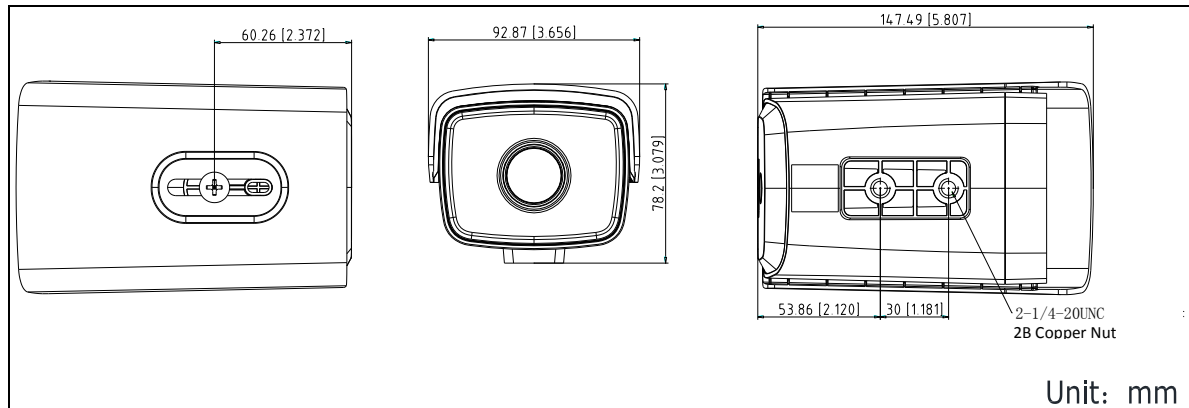
Specifications

Camera	
Image Sensor	1/4" Progressive Scan CMOS
Min. Illumination	0.01 Lux @(F1.2,AGC ON), 0 Lux with IR
Shutter Speed	1/3 s to 1/10,000 s
Lens	4mm, horizontal view angle: 73.1° (6mm,8mm,12mm optional)
Lens Mount	M12
Day & Night	IR cut filter with auto switch
DNR	3D DNR (Digital Noise Reduction)
Wide Dynamic Range	Digital WDR
Compression Standard	
Video Compression	H.264 / MJPEG
H.264 Type	Baseline Profile/Main Profile
Video Bit Rate	32 Kbps to 8 Mbps
Dual Streams	Support
Image	
Max. Resolution	1280×720
Main Stream	50Hz: 1280×720@25fps 60Hz: 1280×720@30fps
Sub-stream	50Hz: 704×576@25fps 60Hz: 704×576@30fps
Others	Mirror, BLC (area configurable), Brightness, Contrast, Saturation
Network	
Alarms	Motion Detection, Dynamic Analysis, Video Tampering, Network Disconnected, IP Address Conflicted
Protocols	TCP/IP, ICMP, HTTP, HTTPS, FTP, DHCP, DNS, DDNS, RTP, RTSP, RTCP, NTP, UPnP, SMTP, SNMP, IGMP, 802.1X, QoS, IPv6, Bonjour
Standard	ONVIF,PSIA,CGI,ISAPI
General Function	Anti-Flicker, Dual Stream, Heartbeat, Mirror, Password Protection, Privacy Mask, Watermark
Interface	
Communication Interface	1 RJ45 10M/100M Ethernet port
General	
Operating Conditions	-30 °C to 60 °C (-22 °F to 140 °F), Humidity 95% or less (non-condensing)
Power Supply	DC12V ± 10%, PoE (802.3af)
Power Consumption	-I3: Max. 3.5W; -I5: Max. 4.5W Max. 9W with pan and tilt
IR Range	-I3: 30 meters; -I5: 50 meters
Protection Level	IP67
Dimensions	147.5mm×78.2mm×92.9mm (5.8"×3.1"×3.7")
Weight	350g (0.8 lb)
Accessory	DS-1296ZJ Wall-Mounted Bracket (Included)

Available Models

DS-2CD120P-I3, DS-2CD120P-I5,

Dimension



Distributed by



Headquarters

No.555 Qianmo Road, Binjiang District,
Hangzhou 310051, China
T +86-571-8807-5998
overseasbusiness@hikvision.com

Hikvision USA
T +1-909-895-0400
sales.usa@hikvision.com

Hikvision Europe
T +31-23-5542770
saleseuro@hikvision.com

Hikvision Middle East
T +971-4-8816086
salesme@hikvision.com

Hikvision Russia
T +7-495-669-67-99
saleru@hikvision.com

Hikvision India
T +91-22-28469900
sales@pramahikvision.com

Hikvision Italy
T +39-0438-6902
info.it@hikvision.com

Hikvision France
T +33(0)1-85-330-444
info.fr@hikvision.com

Hikvision Spain
T +34-91-737-16-55
info.es@hikvision.com

Hikvision Poland
T +48-22-460-01-50
poland@hikvision.com

Hikvision UK
T +44-1628-9021-4
support.uk@hikvision.com

Hikvision Singapore
T +65-6684-4718
sg@hikvision.com

Hikvision Oceania
T +61-2-8599-4233
salesau@hikvision.com

Hikvision Hong Kong
T +852-2151-1761

Hikvision Canada
T +1-909-895-0400
sales.usa@hikvision.com