

DS-2CD130P-I 1MP CMOS Network Dome Camera



Key Features

- 1/4" Progressive Scan CMOS
- Up to 1 megapixel high resolution
- 10 m IR range
- Dual stream
- Digital Wide Dynamic Range
- 3D DNR (Digital Noise Reduction)
- PoE (Power over Ethernet) optional
- Mobile Monitoring via Hik-Connect or iVMS-4500
- Login security protection and password strength detection



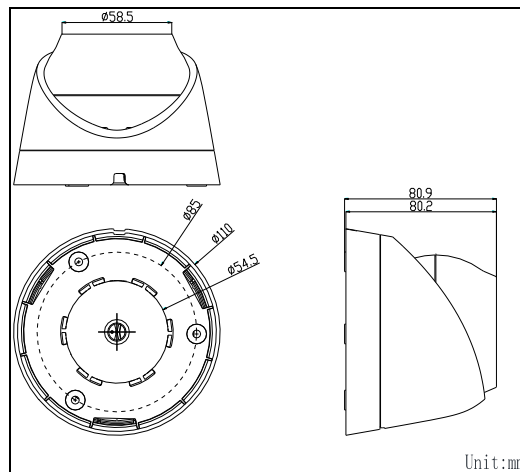
Specifications

| Camera | |
|-----------------------------|---|
| Image Sensor | 1/4" Progressive Scan CMOS |
| Min. Illumination | 0.01Lux @(F1.2,AGC ON) ,0 Lux with IR; 0.028 Lux @(F2.0,AGC ON), 0 Lux with IR |
| Shutter Speed | 1/3 s to 1/10,000 s |
| Lens | 4mm, horizontal view angle: 73.1° (2.8mm,6mm,8mm,12mm optional) |
| Lens Mount | M12 |
| Day &Night | IR cut filter with auto switch |
| 3-Axis Adjustment | Pan: 0° to 360°; Tilt: 0°to 75°; Rotation:0° to 360° |
| DNR | 3D DNR (Digital Noise Reduction) |
| Wide Dynamic Range | Digital WDR |
| Compression Standard | |
| Video Compression | H.264 / JPEG |
| H.264 Type | Baseline Profile/Main Profile |
| Video Bit Rate | 32 Kbps to 8 Mbps |
| Dual Stream | Support |
| Image | |
| Max. Resolution | 1280×720 |
| Main Stream | 50Hz: 1280×720@25fps 60Hz: 1280×720@30fps |
| Sub-stream | 50Hz: 704×576@25fps 60Hz: 704×576@30fps |
| Others | Mirror, BLC (areas configurable), Brightness, Contrast, Saturation |
| Network | |
| Alarms | Motion Detection, Dynamic Analysis, Video Tampering, Network Disconnected, IP Address Conflicted |
| Protocols | TCP/IP, ICMP, HTTP, HTTPS, FTP, DHCP, DNS, DDNS, RTP, RTSP, RTCP, NTP, UPnP, SMTP, SNMP, IGMP, 802.1X, QoS, IPv6, Bonjour |
| Standard | ONVIF,PSIA,CGI,ISAPI |
| General Function | Anti-Flicker, Dual Stream, Heartbeat, Mirror, Password Protection, Privacy Mask, Watermark |
| Interface | |
| Communication Interface | 1 RJ45 10M/100M Ethernet port |
| General | |
| Operating Conditions | -10 °C to 40 °C (-14 °F to 104 °F), Humidity 95% or less (non-condensing) |
| Power Supply | DC12V ± 10%, PoE (802.3af) |
| Power Consumption | Max. 3.2W Max. 9W with pan and tilt |
| IR Range | 10 meters |
| Dimensions | Φ110mm×80.9mm (Φ4.3"×3.2") |
| Weight | 190g (0.4 lb) |

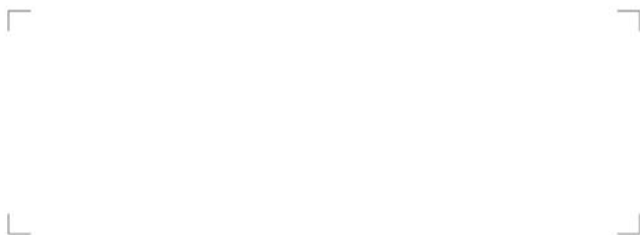
Available Models

DS-2CD130P-I

Dimension



Distributed by



Headquarters

No.555 Qianmo Road, Binjiang District,
Hangzhou 310051, China
T +86-571-8807-5998
overseasbusiness@hikvision.com

Hikvision USA
T +1-909-895-0400
sales.usa@hikvision.com

Hikvision Europe
T +31-23-5542770
saleseuro@hikvision.com

Hikvision Middle East
T +971-4-8816086
salesme@hikvision.com

Hikvision Russia
T +7-495-669-67-99
saleru@hikvision.com

Hikvision India
T +91-22-28469900
sales@pramahikvision.com

Hikvision Italy
T +39-0438-6902
info.it@hikvision.com

Hikvision France
T +33(0)1-85-330-444
info.fr@hikvision.com

Hikvision Spain
T +34-91-737-16-55
info.es@hikvision.com

Hikvision Poland
T +48-22-460-01-50
poland@hikvision.com

Hikvision UK
T +44-1628-9021-4
support.uk@hikvision.com

Hikvision Singapore
T +65-6684-4718
sg@hikvision.com

Hikvision Oceania
T +61-2-8599-4233
salesau@hikvision.com

Hikvision Hong Kong
T +852-2151-1761

Hikvision Canada
T +1-909-895-0400
sales.usa@hikvision.com