

## DS-2DE7130IW-AE 1.3 MP 30x Network IR PTZ Dome Camera

- 1/3" Progressive Scan CMOS
- 1280 x 960 @ 60 fps
- 30x Optical Zoom
- DWDR
- 3D Intelligent Positioning
- Up to 492 ft (150 m) IR Range
- Hi-PoE/24 VAC



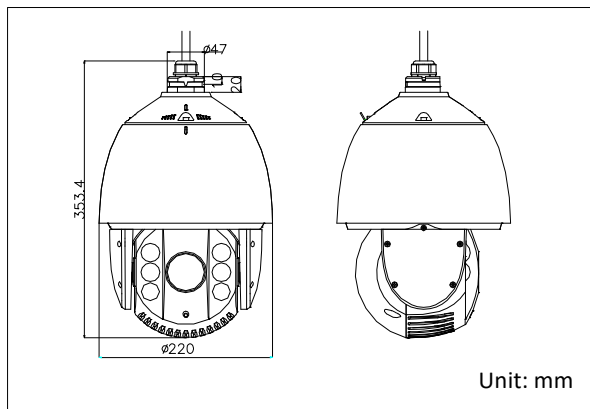
Hikvision DS-2DE7130IW-AE PTZ Dome Cameras are embedded with a 1/2.8" progressive scan CMOS chip, which makes DWDR and 1.3 MP real-time resolution possible. With the 30x optical zoom Day/Night lens, the camera offers more details over expansive areas.

Hikvision DS-2DE7130IW-AE PTZ Dome Cameras also feature a wide range of functions,

including intrusion detection, line crossing detection, and audio exception, benefitting users with great improvement in security efficiency and, more importantly, with key events/objects recorded for further forensic needs.

**Available Models:** DS-2DE7130IW-AE, Outdoor

### Dimensions



### Accessories



DS-2DE7230IW-AE	
<b>Camera Module</b>	
Image Sensor	1/2.8" progressive scan CMOS
Minimum Illumination	f/1.6, AGC on; color: 0.05 lux; B/W: 0.01 lux; 0 lux with IR
Max. Image Resolution	1920 x 1080
Focal Length	4.3 mm to 129.0 mm, 30x
Digital Zoom	16x
Zoom Speed	Approximately 3s (optical wide to tele)
Angle of View	65.5° to 2.11° (wide to tele)
Min. Working Distance	10 mm to 1,000 mm (wide to tele)
Aperture Range	f/1.6 to f/5.0
Focus Mode	Auto/semiautomatic/manual
DWDR	Supported
Shutter Speed	1s to 1/10,000s
AGC	Auto/manual
White Balance	Auto/manual/ATW/indoor/outdoor/daylight lamp/sodium lamp
Day/Night	IR cut filter
Privacy Mask	8 privacy masks programmable
Enhancement	3D DNR, defog, HLC/BLC
<b>Pan and Tilt</b>	
Range	Pan: 360° endless; tilt: -15° to 90° (auto flip)
Speed	Pan manual speed: 0.1° to 160°/s, pan preset speed: 240°/s; tilt manual speed: 0.1° to 120°/s, tilt preset speed: 200°/s
Number of Presets	300
Patrols	8 patrols, up to 32 presets per patrol
Patterns	4 pattern scans, record time over 10 minutes for each scan
Park Actions	Preset/patrol/pattern/pan scan/tilt scan/random scan/frame scan/panorama scan
Scheduled Tasks	Auto scan/frame scan/random scan/patrol/pattern/preset/panorama scan/tilt scan/dome reboot/dome adjust/aux output
<b>Features</b>	
Detection	Intrusion detection, line crossing detection, audio exception detection, motion detection
ROI Encoding	Supported
<b>Infrared</b>	
IR Distance	Up to 492 ft (150 m)
IR Intensity	Automatically adjusted, depending on the zoom ratio
<b>Alarm</b>	
Alarm I/O	2/1
Alarm Triggers	Tampering alarm, network disconnect, IP address conflict, storage exception
Alarm Actions	Preset, patrol, pattern, recording, relay output, upload center, upload FTP, e-mail linkage
<b>Input/Output</b>	
Audio Input	1 mic in/line in interface, line input: 2-2.4 V[p-p]; output impedance: 1K Ω, ±10%
Audio Output	1 audio output interface, line level, impedance: 600 Ω
<b>Network</b>	
Ethernet	10Base-T/100Base-TX, RJ-45 connector
Streams	Supports three streams
Main Stream	50 Hz: 25 fps (1920 × 1080, 1280 × 960, 1280 × 720), 50 fps (1280 × 960, 1280 × 720) 60 Hz: 30 fps (1920 × 1080, 1280 × 960, 1280 × 720), 60 fps (1280 × 960, 1280 × 720)
Sub Stream	50 Hz: 25 fps (704 × 576, 640 × 480, 352 × 288); 60 Hz: 30 fps (704 × 480, 640 × 480, 352 × 240)
Third Stream	50 Hz: 25 fps (1920 × 1080, 1280 × 960, 1280 × 720, 704 × 576, 640 × 480, 352 × 288) 60 Hz: 30 fps (1920 × 1080, 1280 × 960, 1280 × 720, 704 × 480, 640 × 480, 352 × 240)
Image Compression	H.264/MJPEG
Audio Compression	G.711ulaw/G.711alaw/G.726/MP2L2/G.722
Protocols	IPv4/IPv6, HTTP, HTTPS, 802.1X, QoS, FTP, SMTP, UPnP, SNMP, DNS, DDNS, NTP, RTSP, RTP, TCP, UDP, IGMP, ICMP, DHCP, PPPoE
Simultaneous Live Views	Up to 20 users
MicroSD Memory Card	Supports up to 128 GB microSD/SDHC/SDXC card. Supports Edge recording.
User/Host Level	Up to 32 users, 3 levels: administrator, operator, and user
Security Measures	User authentication (ID and PW); host authentication (MAC address); IP address filtering
<b>System Integration</b>	
Application Programming	Open-ended API, supports ONVIF, PSIA, and CG
Web Browsers	IE 7+, Chrome 18+, Firefox 5.0+, Safari 5.02+
Power	High-PoE and 24 VAC, maximum 40 W
Working Temperature	-22° F to 149° F (-30° C to 65° C)
Humidity	90% or less
Protection Levels	IP66, TVS 4,000 V lightning protection, surge protection, and voltage transient protection
Certification	FCC, CE, UL, RoHS, IEC/EN 61000, IEC/EN 55022, IEC/EN 55024, IEC/EN60950-1
Dimensions	Φ8.66" × 13.91" (Φ220 mm × 353.4 mm)
Weight (approximate)	9.92 lbs (4.5 kg)