

## DS-2CD123P-I3 3.0 MP CMOS Network Bullet Camera



### Key Features

- 1/3" progressive scan CMOS
- Up to 3.0 megapixel
- 2.8 mm/4 mm/6 mm fixed focal lens
- Up to 30 m IR range
- Dual stream
- Digital WDR (Wide Dynamic Range)
- 3D DNR (Digital Noise Reduction)
- PoE (Power over Ethernet)
- IP67
- Mobile monitoring via Hik-Connect or iVMS-4500



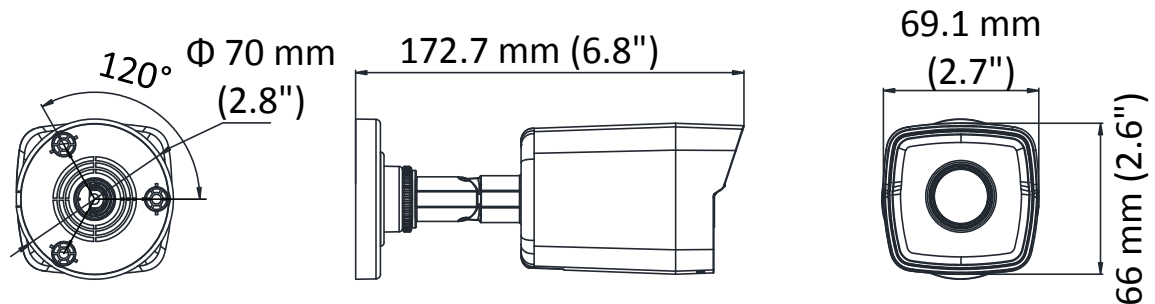
## Specification

<b>Camera</b>	
Image Sensor	1/3" progressive scan CMOS
Min. Illumination	Color: 0.01 Lux @(F1.2, AGC ON), 0 Lux with IR
Shutter Speed	1/3 s to 1/100, 000 s, support slow shutter
Lens	2.8 mm @F2.0, horizontal field of view 105.8°, 4 mm @F2.0, horizontal field of view 83.6° 6 mm @F2.0, horizontal field of view 55°
Lens Mount	M12
Day & Night	IR cut filter with auto switch
3-Axis Adjustment (Bracket)	Pan: 0° to 360°, tilt: -90° to 90°, rotation: 0° to 360°
DNR (Digital Noise Reduction)	3D DNR
WDR (Wide Dynamic Range)	Digital WDR
<b>Compression Standard</b>	
Video Compression	Main stream: H.264+/H.264 Sub stream: H.264/MJPEG
H.264 Type	Main profile/High profile
Video Bit Rate	32 Kbps to 16 Mbps
<b>Image</b>	
Max. Resolution	2304 × 1296
Main Stream Max. Frame Rate	50Hz: 20fps @(2304 × 1296), 25fps @(1920 × 1080, 1280 × 720) 60Hz: 20fps @(2304 × 1296), 30fps @(1920 × 1080, 1280 × 720)
Sub-stream Max. Frame Rate	50Hz: 25fps @(640 × 360, 352 × 288) 60Hz: 30fps @(640 × 360, 352 × 240)
Image Settings	Brightness, saturation, contrast, sharpness are adjustable via web browser or client software
Day/Night Switch	Support auto, scheduled
Others	Mirror, BLC (area configurable), region of interest (support 1 fixed region)
<b>Network</b>	
Network Storage	NAS (NFS, SMB/CIFS)
Detections	Motion Detection
Alarms	Video tampering, network disconnected, IP address conflicted
Protocols	TCP/IP, ICMP, HTTP, HTTPS, FTP, DHCP, DNS, DDNS, RTP, RTSP, RTCP, NTP, UPnP, SMTP, SNMP, IGMP, 802.1X, QoS, IPv6, Bonjour
Standard	ONVIF (PROFILE S, PROFILE G), PSIA, CGI, ISAPI
General Function	Anti-flicker, heartbeat, mirror, password protection, privacy mask, watermark, IP address filter
<b>Interface</b>	
Communication Interface	1 RJ45 10M/100M self-adaptive Ethernet port
<b>General</b>	
Operating Conditions	-30 °C to 60 °C (-22 °F to 140 °F), humidity: 95% or less (non-condensing)
Power Supply	12 VDC ± 25%, PoE (802.3af)
Power Consumption	Max. 5 W/6.5 W (PoE)
Ingress Protection	IP67
IR Range	Up to 30 m
Dimensions	69.1 mm × 66 mm × 172.7 mm ( 2.7" × 2.6" × 6.8")
Weight	500 g (1.1 lb.)

## Available Models

DS-2CD123P-I3

## Dimension



## Accessory



DS-1280ZI-XS  
Junction Box

Distributed by



# HIKVISION®

### Headquarters

No.555 Qianmo Road, Binjiang District,  
Hangzhou 310051, China  
T +86-571-8807-5998  
overseasbusiness@hikvision.com

**Hikvision USA**  
T +1-909-895-0400  
sales.usa@hikvision.com

**Hikvision Italy**  
T +39-0438-6902  
info.it@hikvision.com

**Hikvision Singapore**  
T +65-6684-4718  
sg@hikvision.com

**Hikvision Africa**  
T +27 (10) 0351172  
sale.africa@hikvision.com

**Hikvision Europe**  
T +31-23-55-42-770  
info.eu@hikvision.com

**Hikvision France**  
T +33(0)1-85-330-450  
info.fr@hikvision.com

**Hikvision Oceania**  
T +61-2-8599-4233  
salesau@hikvision.com

**Hikvision Hong Kong**  
T +852-2151-1761

**Hikvision Middle East**  
T +971-4-8816086  
salesme@hikvision.com

**Hikvision Spain**  
T +34-91-737-16-55  
info.es@hikvision.com

**Hikvision Canada**  
T +1-909-895-0400  
sales.usa@hikvision.com

**Hikvision Russia**  
T +7-495-669-67-99  
saleru@hikvision.com

**Hikvision Poland**  
T +48-22-460-01-50  
poland@hikvision.com

**Hikvision Korea**  
T +82-31-731-8841  
sales.korea@hikvision.com

**Hikvision India**  
T +91-22-28469900  
sales@pramahikvision.com

**Hikvision UK**  
T +01628-902140  
support.uk@hikvision.com

**Hikvision Brazil**  
T +55 11 3318-0050  
Latam.support@hikvision.com